



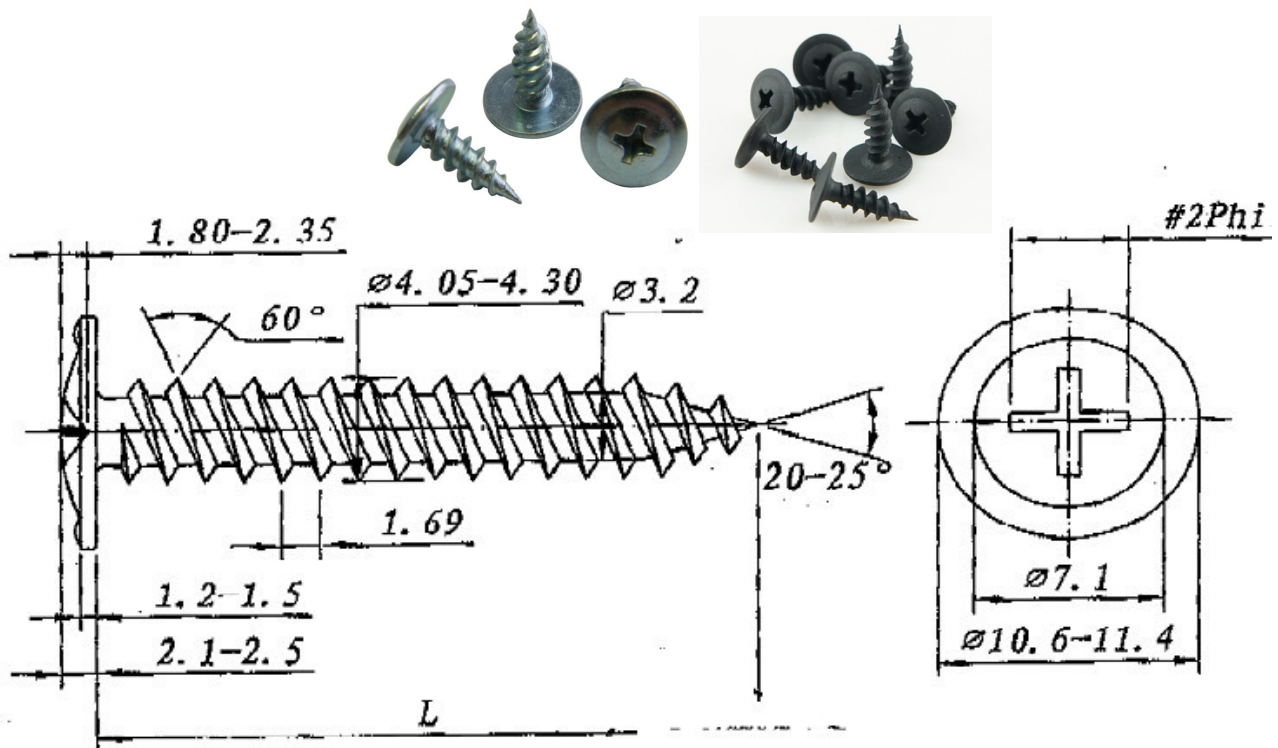
# TRANSHOW INDUSTRY LIMITED

GAOYANG RD, ZHOUSHAN VILLAGE, JIANGSHAN TOWN  
 YINZHOU DISTRICT, NINGBO CITY, 315100 CHINA  
 Tel: +86-574-8736.7873 Fax: +86-574-8736.4349  
[www.transhow.net](http://www.transhow.net) Email: [transhow@transhow.net](mailto:transhow@transhow.net)

## Modified Truss Head Self Tapping Screws

Black Phosphated or Zinc Plated

Please note there is no single standard for this modified truss head self tapping screws.  
 Below drawings and dimensions are producer's common supply.  
 Specifications may differs for various markets and customer's request



Designation	L. length mm	Hardness of core HV	Hardness of surface HV	Min. breaking moment N.m
4.2*13	13.0	240-450MIN	550MIN	4.5
4.2*14	14.0	240-450MIN	550MIN	4.5
4.2*16	16.0	240-450MIN	550MIN	4.5
4.2*19	19.0	240-450MIN	550MIN	4.5
4.2*25	25.0	240-450MIN	550MIN	4.5
4.2*32	32.0	240-450MIN	550MIN	4.5
4.2*41	41.0	240-450MIN	550MIN	4.5
4.2*51	51.0	240-450MIN	550MIN	4.5
4.2*76	76.0	240-450MIN	550MIN	4.5